



# ***TEK-COR 1100A***

## ***Coriolis Mass Flow Meter***

---

### **Instruction Manual**

Document Number: IM-1100A



[www.tek-trol.com](http://www.tek-trol.com)

---

**NOTICE**

Read this manual before working with the product. For personal and system safety, and for optimum product performance, make sure you thoroughly understand the contents before installing, using, or maintaining this product.

For technical assistance, contact

Customer Support

796 Tek-Drive

Crystal Lake, IL 60014

USA

Tel: +1 847 857 6076

© **COPYRIGHT Tek-Trol LLC 2021**

No part of this publication may be copied or distributed, transmitted, transcribed, stored in a retrieval system, or translated into any human or computer language, in any form or by any means, electronic, mechanical, manual, or otherwise, or disclosed to third parties without the express written permission. The information contained in this manual is subject to change without notice.

## Table of Contents

<b>1</b>	<b>Safety Instructions</b>	<b>3</b>
1.1	Intended Use	3
1.2	Certification	3
1.3	Safety Instructions from the Manufacturer	3
1.3.1	Disclaimer	3
1.3.2	Product Liability and Warranty	3
1.3.3	Information Concerning the Documentation	3
1.4	Safety Precautions	3
1.5	Packaging, Transportation and Storage	4
1.5.1	Packaging	4
1.5.2	Transportation	4
1.5.3	Handling	5
1.5.4	Storage	6
1.5.5	Nameplate	6
<b>2</b>	<b>Product Description</b>	<b>7</b>
2.1	Principle of Operation	7
2.2	Models	8
2.2.1	U-Tube	8
2.2.2	Standard	8
2.2.3	Nano	8
2.2.4	Super Bend	8
2.2.5	Straight	9
2.2.6	Duo	9
2.3	Technical Specifications	9
2.4	Flow Ranges	10
2.4.1	Flow Ranges for Liquid (U-Tube)	10
2.4.2	Flow Range for Liquid (Standard)	10
2.4.3	Flow Range for Gas	11
2.4.4	Flow Range of Volume of Air under STP Conditions	11
2.4.5	Flow Rate Factor	11
2.4.6	Accuracy, Basic Error and Repeatability	12
2.4.7	Density Measuring	12
2.4.8	Temperature Measuring	12
2.5	Electrical Specifications	12
2.5.1	Current Output	12
2.5.2	Pulse Output	12
2.5.3	Low Flow Cut-off	12
2.5.4	RS 485 Output	13
2.5.5	Power Consumption	13
2.6	Environmental Specification	13
2.6.1	Environment Vibration	13
2.6.2	Environment Temperature	13
2.6.3	Enclosure Grade	13
2.7	Dimensional Drawings	13
2.7.1	Outline Dimensions for U-Shaped	13
2.7.2	Outline Dimensions for Standard	14
2.7.3	Dimensions of Remote Type Transmitter	15
2.7.4	Outline Dimensions for Nano	15
2.7.5	Outline Dimensions for Super Bend	16
2.7.6	Outline Dimensions for Straight	16
2.7.7	Weights	17

2.8	Model Chart.....	17
<b>3</b>	<b>Installation.....</b>	<b>18</b>
3.1	Basic Requirement for Installation.....	18
3.1.1	Position Selection.....	18
3.1.2	Maximum Length of the Cable.....	19
3.1.3	Closing of Valve before Zero-Point Calibration.....	19
3.2	Installation Direction .....	19
3.2.1	Horizontal and Vertical Installation.....	19
3.2.2	Difficult Installation Location for Liquid and Gas Measurement .....	19
3.2.3	Flow Direction .....	21
3.3	Mounting.....	22
3.3.1	Sensor Mounting.....	22
3.3.2	Transmitter Mounting.....	23
3.4	Wiring .....	23
3.4.1	Basic Requirements.....	23
3.4.2	Junction Box .....	23
3.4.3	Cable Connection .....	23
3.4.4	Earthing .....	24
3.4.5	Power Line Wiring.....	25
<b>4</b>	<b>Electrical Connections .....</b>	<b>25</b>
4.1	Basic Requirement .....	25
4.2	Power Cable .....	25
4.3	Current Output Wiring .....	26
4.4	Pulse Output Wiring.....	26
4.5	RS 485 Output Wiring.....	27
4.6	Amplifier Wiring .....	27
<b>5</b>	<b>Operation .....</b>	<b>28</b>
5.1	Display .....	28
5.2	Configuration Parameter.....	29
5.2.1	Measuring Unit.....	29
5.2.2	Reset Totalizer.....	29
5.2.3	Low Flow Cut-off .....	30
5.2.4	Current Output.....	30
5.2.5	Pulse/Frequency Output .....	30
5.2.6	RS 485 Output .....	31
5.2.7	First Menu .....	31
5.2.8	Oil and Water Content Analysis .....	31
5.2.9	Zero Calibration.....	31
5.3	Calibration.....	32
5.3.1	Zero Calibration.....	32
5.3.2	Flow Calibration .....	32
5.4	Menu Tree .....	33
<b>6</b>	<b>Pressure Loss .....</b>	<b>34</b>
<b>7</b>	<b>Troubleshooting.....</b>	<b>35</b>
7.1	Diagnostic Tool .....	35
7.2	Checking the Sensor Connection.....	36
7.3	Power Connection.....	36
7.4	Explosion Proof.....	36

## 1 Safety Instructions

### 1.1 Intended Use

This measuring device is intended to measure the mass flow rate. At the same time, the system also measures fluid density and fluid temperature. These parameters are then used to calculate other variables such as volumetric flow.

### 1.2 Certification

Tek-Cor 1100A has UL, CE, NTEP, and HMO certifications.

### 1.3 Safety Instructions from the Manufacturer

#### 1.3.1 Disclaimer

The manufacturer will not be held accountable for any damage that happens by using its product, including, but not limited to direct, indirect, or incidental and consequential damages.

Any product purchased from the manufacturer is warranted in accordance with the relevant product documentation and our Terms and Conditions of Sale.

The manufacturer has the right to modify the content of this document, including the disclaimer, at any time for any reason without prior notice, and will not be answerable in any way for the possible consequence of such changes.

#### 1.3.2 Product Liability and Warranty

The operator shall bear authority for the suitability of the device for the specific application. The manufacturer accepts no liability for the consequences of misuse by the operator. Wrong installation or operation of the devices (systems) will cause the warranty to be void. The respective Terms and Conditions of Sale, which forms the basis for the sales contract shall also apply.

#### 1.3.3 Information Concerning the Documentation

To prevent any injury to the operator or damage to the device it is essential to read the information in this document and the applicable national standard safety instructions. This operating manual contain all the information that is required in various stages, such as product identification, incoming acceptance and storage, mounting, connection, operation and commissioning, troubleshooting, maintenance, and disposal.

### 1.4 Safety Precautions

You must read these instructions carefully prior to installing and commissioning the device. These instructions are an important part of the product and must be kept for future reference. Only by observing these instructions, optimum protection of both personnel and the environment, as well as safe and fault-free operation of the device can be ensured.

For additional information that are not discussed in this manual, contact the manufacturer

### Warnings and Symbols Used

The following safety symbol marks are used in this operation manual and on the instrument.



#### WARNING

Indicates a potentially hazardous situation which, if not avoided, could result in death or serious injury



#### CAUTION

Indicates a potentially hazardous situation which, if not avoided, may result in minor or moderate injury. It may also be used to alert against unsafe practices.



#### NOTE

Indicates that operating the hardware or software in this manner may damage it or lead to system failure.

## 1.5 Packaging, Transportation and Storage

### 1.5.1 Packaging

The original package consists of

1. Tek-Cor 1100A Coriolis Mass Flow Meter
2. Documentation



### 1.5.2 Transportation

- Avoid impact shocks to the device and prevent it from getting wet during transportation.

- Verify local safety regulations, directives, and company procedures with respect to hoisting, rigging, and transportation of heavy equipment.
- Transport the product to the installation site using the original manufacturer's packing whenever possible.

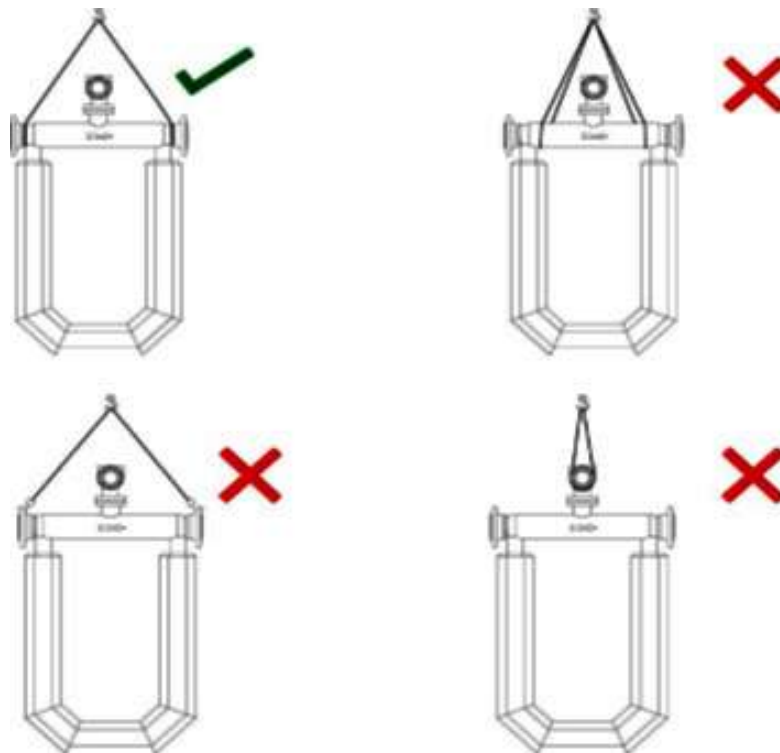
### 1.5.3 Handling

- Use a sling to lift and carry the instrument.
- Do not lift the instrument using the flange bolt holes.
- Do not lift the instrument on the transmitter housing and on the transmitter stem.



#### WARNING

The centre of gravity of the instrument is higher than the suspension points of the sling. There is a risk of injury if the instrument slips. Fulfil the local safety instructions while lifting the instrument



### 1.5.4 Storage

If this product is to be stored for a long period of time before installation, take the following precautions:

- Store your product in the manufacturer’s original packing used for shipping.
- Storage location should conform to the following requirements:
  - Free from rain and water
  - Free from vibration and impact shock
  - At room temperature with minimal temperature and humidity variation
- Before storing a used flow meter remove any fluid from the flow meter line completely. Properties of the instrument can change when stored outdoors.

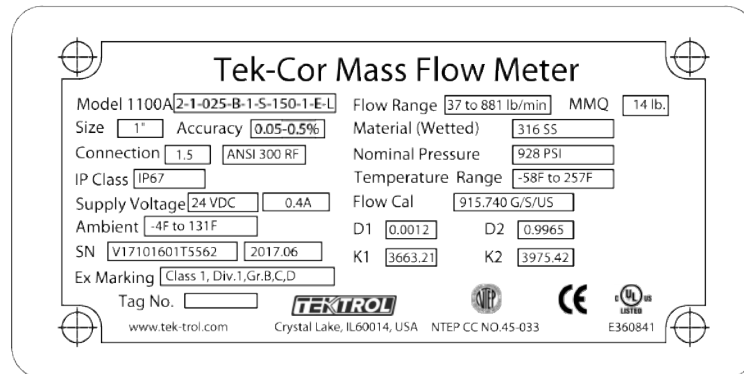
### 1.5.5 Nameplate

The nameplate lists the order number and other important information, such as design details and technical data.

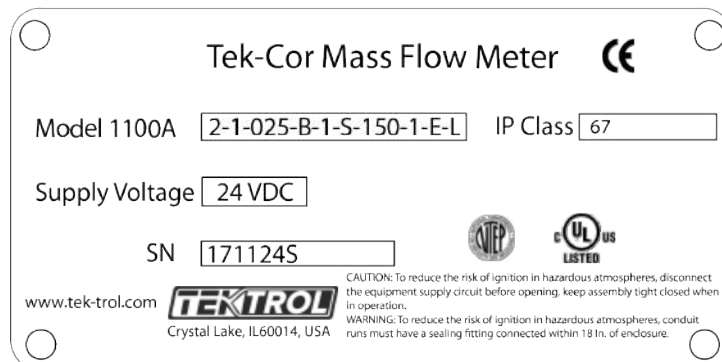


#### NOTE

Check the device nameplate to ensure that the device is delivered according to your order. Check for the correct supply voltage printed on the nameplate.



**Name Plate of Tek-Cor 1100A Sensor**



**Name Plate of Tek-Cor 1100A Transmitter**

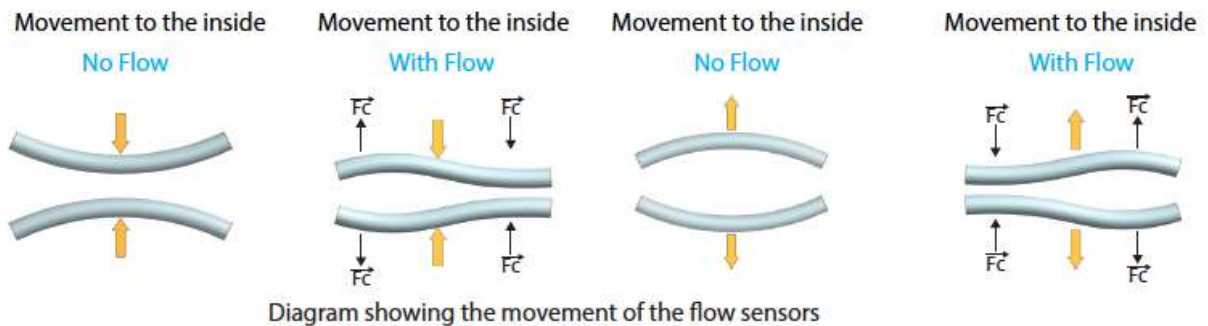
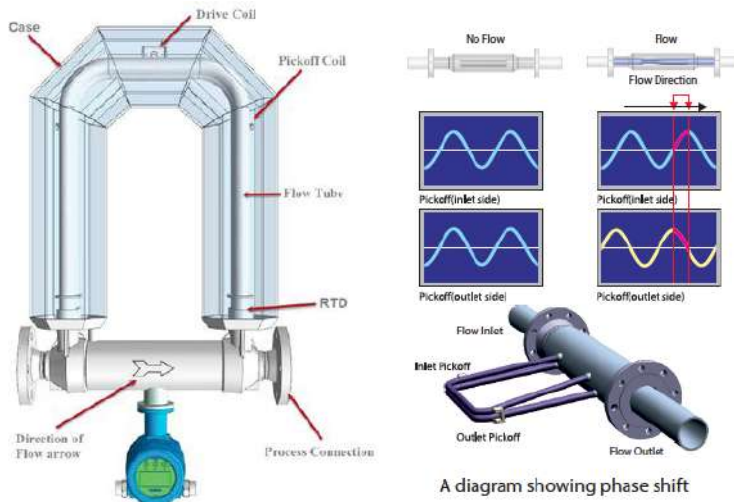


## 2 Product Description

This section covers the reference and specification data, as well as ordering information.

### 2.1 Principle of Operation

The Coriolis measuring principle refers to the effect that a moving mass has on a body in a rotating frame of reference. The moving mass exerts an apparent force on the body, causing a deflection. This force is called the Coriolis force. It does not act directly on the body, but on the motion of the body. This principle is used in Coriolis flow meters. A Coriolis flow meter consists of two parallel tubes that are made to oscillate using a magnet. These oscillations are recorded by sensors fitted at the inlet and outlet of each tube. In a no-flow state, the oscillations are synchronized, since there is no mass exerting any force on the tubes. Any fluid flowing through the tubes generates Coriolis forces, causing the tubes to twist in proportion to the mass flow rate of the fluid.



## 2.2 Models

The Tek-Cor 1100A Series Coriolis Mass Flow Meters are available in the following six configurations:

### 2.2.1 U-Tube

These flow meters are comprised of two U-Tubes, a magnet and coil assembly, and sensors at the inlet and outlet of the tubes. Coriolis forces exerted by the flowing medium are used to determine the mass flow rate and density of the medium.



U-Tube sensor (Size 1" to 8")

### 2.2.2 Standard

These flow meters are comprised of two U-shaped tubes in a casing with a considerably smaller radius than the conventional U-Shaped Coriolis flow meters. The smaller radius ensures a more compact instrument with significantly lower pressure differential values compared to other flow meters.



Standard sensor (size 3/8" to 8")

### 2.2.3 Nano

These flow meters are the most compact in our range of Coriolis Mass Flow Meters, designed specifically to provide optimum performance in low-flow applications. It comprises a single flow tube which is considerably smaller in size than the conventional U-Shaped flow meters.



Nano sensor (Size 3/8" to 1")

### 2.2.4 Super Bend

The Super Bend coriolis mass flow meter is used in a wide range of applications to accurately measure the flow media. It consists of a loop-powered dual tube system, capable of withstanding pressures of up to 1450 psi. It is also more cost-efficient compared to conventional flow meters.



Super Bend (Size 3/8" to 8")

### 2.2.5 Straight

It is the highest capacity Coriolis Mass Flow Meter for liquid and gases. Its straight tube design is ideal for bunkering operations and custody transfer or fiscal metering in the oil and gas industry. The Straight Coriolis Flow Meter offers excellent corrosion resistance and is self-draining with a plug-resistant flow path.



Straight (Size 3/8" to 1")

### 2.2.6 Duo

Duo Coriolis Mass Flow Meter is mostly used in custody transfer applications. It provides high accuracy, repeatability, versatility, reliability in fluid measurement. It has a tolerance of solid particles and minimizes pressure drop, which increases the performance. This meter can be installed without long, straight pipe runs upstream and downstream. Duo Coriolis Mass Flow Meter is suitable for high flow rate applications.



Duo (Size 10" to 24")

## 2.3 Technical Specifications

<b>Accuracy</b>	±0.05%, ±0.1%, ±0.2% or ±0.5%	
<b>Density Accuracy</b>	0.001g/cm <sup>3</sup> (Consult Factory for Better)	
<b>Repeatability</b>	± 0.05% (for 0.1% accuracy), ± 0.1% (for 0.2% accuracy), ±0.25% (for 0.5% accuracy) or ± 0.05% (for 0.05% accuracy)	
<b>Sensor Type</b>	Standard, U Tube, Nano, Super Bend, Straight Tube, Dual Path	
<b>Process Media</b>	Liquid or Gas	
<b>Transmitter</b>	Digital type/Analog type	
<b>Power Supply</b>	18-28VDC, 85-220VAC	
<b>Maximum Pressure</b>	For 3/8" to 1/2"	3600psi (25MPa)
	For 1"	2300psi (16MPa)
	For 1 1/2" to 2"	1500psi (10MPa)
	For 3" to 4"	900psi (6MPa)
<b>Signal Output</b>	4-20 mA and Pulse, Optional: HART, Modbus RS485 or Ethernet	
<b>Process Connections</b>	DIN, ANSI Flanges, NPT, Flare, Tri-Clamp	
<b>Electronics</b>	Direct Mount or Remote Mount	
<b>Diagnostic Functions</b>	Reset Totalizer	
<b>Graphic Display</b>	OLED	

<b>Operating Elements</b>	3 optical keys for operator	
<b>Additional Features</b>	Low Flow Cut-off, Oil and Water Content Analysis, Zero Calibration, Flow Calibration, Long-Term Stability, Zero Point Adjustment, Conforms IEC 61362 (Industrial) EMC Directive, Useful for all type of sensors i.e. U-Tube, Nano, Standard	
<b>Temperature Range</b>	Direct Mount	-60°F to 200°F (-50°C to 125°C)
	Remote Mount	-300°F to 400°F (-180°C to 200°C)

## 2.4 Flow Ranges

### 2.4.1 Flow Ranges for Liquid (U-Tube)

Size (inch)	Allowable Flow Range (lb/min)	Normal Flow Range for Accuracy 0.1% (lb/min)	Normal Flow Range for Accuracy 0.2%, 0.5%(lb/min)
1 ½"	12 - 1175	74 - 1175	56 - 1175
2"	19 - 1837	110 - 1837	92 - 1837
3"	52 - 5144	221 - 5144	203 - 5144
4"	74 - 7340	552 - 7348	441 - 7348
6"	184 - 18371	1287 - 18371	1103 - 18371
8"	368 - 36743	2572 - 36743	2573 - 36743

### 2.4.2 Flow Range for Liquid (Standard)

Size (inch)	Allowable Flow Range (lb/min)	Normal Flow Range for Accuracy 0.1% (lb/min)	Normal Flow Range for Accuracy 0.2%, 0.5% (lb/min)
½"	1 - 110	8 - 110	6 - 110
1"	3 - 293	23 - 293	15 - 293
1 ½"	9 - 881	89 - 881	42 - 881
2"	19 - 1837	184 - 1837	92 - 1837
3"	30 - 4409	294 - 4409	294 - 4409
4"	56 - 7348	552 - 7348	368 - 7348
6"	184 - 18371	1838 - 18371	919 - 18371
8"	368 - 36743	3674 - 36743	18372 - 36743

### 2.4.3 Flow Range for Gas

Size (Inch)	Measurable Flow Range (lb/min)	Flow Range with 0.5% (lb/min)
1/2"	1 - 110	3 - 110
1"	2 - 293	8 - 293
1 1/2"	12 - 1176	30 - 1176
2"	19 - 1837	46 - 1837
3"	26 - 5144	129 - 5144
4"	37- 7348	184 - 7348
6"	92 - 18371	460 - 18371

### 2.4.4 Flow Range of Volume of Air under STP Conditions

Size (Inch)	Initial flow (GPM)	Initial flow (Scfm)	Flow range with accuracy 0.5% (GPM)	Flow range with accuracy 0.5% (Scfm)
1/2"	55	8	275~11007.5	40 – 1585
1"	146.5	21	734~29353	106 – 4226
1 1/2"	587	84	2935.5~117411	423 – 16906
2"	917.5	132	4586.5~183454.5	661 – 26416
3"	2568.5	370	12842~513672	1849 - 73966
4"	3669	528	18345.5~733817	2642 - 105665
6"	9172.5	1321	45863.5~1834542	6604 – 264164

### 2.4.5 Flow Rate Factor

The flow rate of the Tek-Cor 1100A must be checked according to the formula below:

$$\text{Medium flow rate} = \frac{\text{Volume flow rate under working conditions}}{\text{Flow rate factor}}$$

Size (inch)	1/2"	1"	1 1/2"	2"	3"	4"	6"	8"
Flow rate factor	0.362	1.558	1.634	3.535	8.338	15.89	26.15	58.84



#### NOTE

- The gas flow velocity is usually much higher than liquid when measured by a flow meter, so there is noise caused by gas medium and tube wall of flow meter under a high-speed gas flow and if the noise becomes loud enough, the signal of flow meter will be influenced, so use the Tek-Cor 1100A Coriolis flow meter for gaseous medium at velocity less than 1/3<sup>rd</sup> of the sound velocity (360 fps).
- Use Tek-Cor 1100A for gas with a pressure less than 29 PSI (0.2 MPa).

#### 2.4.6 Accuracy, Basic Error and Repeatability

<b>Accuracy</b>	0.1%	0.2%	0.5%
<b>Basic Error</b>	±0.10%	±0.20%	±0.50%
<b>Repeatability</b>	±0.05%	±0.10%	±0.25%
Accuracy is calculated based on the water measurement under the conditions of 68°F to 77°F (20°C to 25°C) and 14.5 PSI to 29 PSI (0.1 MPa to 0.2 MPa)			

#### 2.4.7 Density Measuring

<b>Density Range</b>	2 – 30 lb/gal (0.2 to 3 g/cm <sup>3</sup> )
<b>Basic Error</b>	±0.02 lb/gal (±0.002 g/cm <sup>3</sup> )
<b>Repeatability</b>	±0.01 lb/gal (±0.001 g/cm <sup>3</sup> )

#### 2.4.8 Temperature Measuring

<b>Temperature Range</b>	Direct Mount	-58 °F to 257 °F (-50 °C to 125 °C)
	Remote Mount	-58 °F to 392 °F (-50 °C to 200 °C)
<b>Basic Error</b>	≤±32 °F (≤±1 °C)	

### 2.5 Electrical Specifications

#### 2.5.1 Current Output

A passive current output of 4-20mA can be configured to indicate the mass flow, volume flow, or density.

<b>Output Range</b>	4-20 mA
<b>Resolution</b>	0.000244 mA
<b>Basic Error</b>	0.2% FS
<b>Temperature Influence</b>	±0.005 FS/°F
External resistor should be 250 Ω to 600 Ω	

#### 2.5.2 Pulse Output

Active pulse output can be configured to indicate the mass flow, volume flow, or density.

<b>Output Range</b>	0 – 10 kHz
<b>Resolution</b>	0.152 kHz
<b>Basic Error</b>	0.075% FS
<b>Temperature Influence</b>	±0.005 FS/°F
Capability of output range is 12 kHz	

#### 2.5.3 Low Flow Cut-off

When the mass flow value is lower than the value of low flow cut-off, the Tek-Cor 1100A Coriolis Mass Flow meter shows the output of flow rate as zero, and the

totalizer stops accumulating. The value of low flow cut-off is usually set to be 1% of the maximum flow rate.

#### 2.5.4 RS 485 Output

RS485 output is compatible with the RTU mode of the Modbus protocol. For details, contact Tek-Trol.

#### 2.5.5 Power Consumption

The normal power consumption for flow meter is 10 W, and the maximum power consumption is 15 W.

### 2.6 Environmental Specification

#### 2.6.1 Environment Vibration

<b>Frequency Range</b>	10 to 2000 Hz
<b>Maximum Acceleration</b>	2 g
<b>Maximum Vibration cycles</b>	50

#### 2.6.2 Environment Temperature

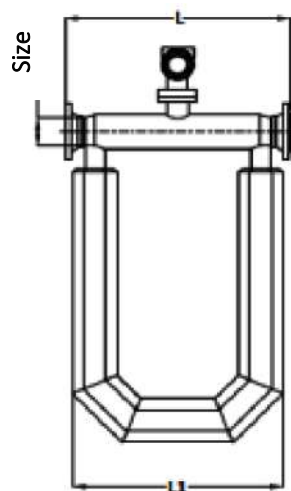
<b>Working Temperature</b>	-40 °F to 131 °F (-40 °C to 55 °C)
<b>Storage Temperature</b>	-68 °F to 158 °F (-20 °C to 70 °C)

#### 2.6.3 Enclosure Grade

The enclosure grade for the Tek-Cor 1100A Coriolis Mass Flow meter is IP67.

### 2.7 Dimensional Drawings

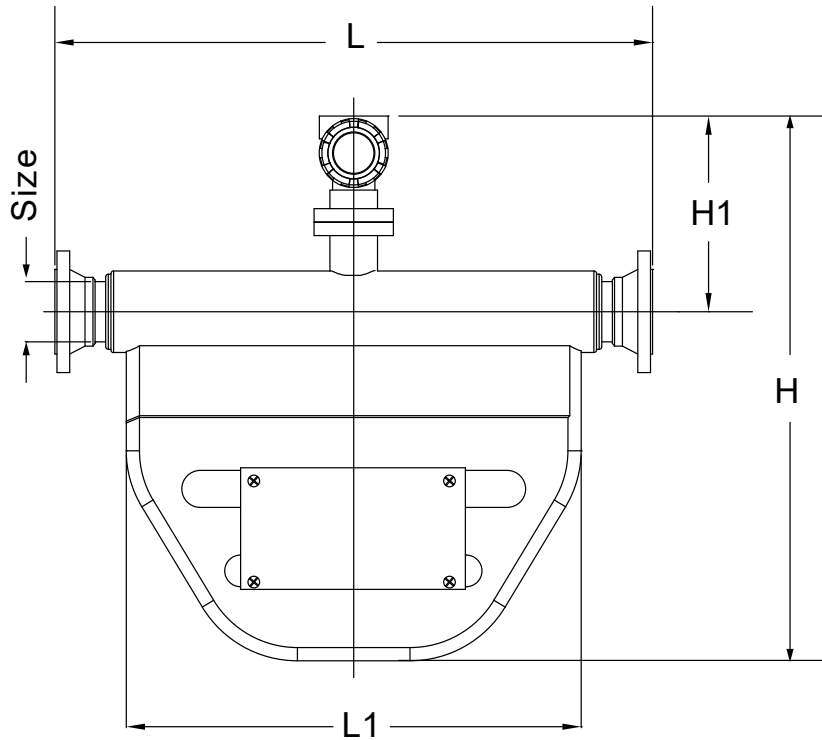
#### 2.7.1 Outline Dimensions for U-Shaped



Size in(mm)	L		L1 In(mm)	H In(mm)	H in(mm)	
	≤300# (4 MPa) In(mm)	≥600# (6.3 MPa) In(mm)			Integrated	Remote In(mm)
1 1/2"(40)	20 1/2"(511.75)	21 1/2"(538.25)	18 1/2"(462.5)	26"(649.5)	11"(275.5)	8 1/4"(206.5)

2"(50)	22"(549)	23 1/4"(578.5)	21 3/4"(541.25)	28"(698.75)	11 1/2"(285.25)	8 3/4"(216.5)
3"(80)	30 3/4"(767.5)	31 3/4"(795.25)	28"(698.75)	41"(1023.5)	12 1/2"(314.75)	9 3/4"(246)
4"(100)	36 1/4"(905.5)	37 1/4"(933)	33 3/4"(846.25)	45"(1122)	13 3/4"(344.25)	11"(275.5)
6"(150)	43 1/4"(1082.5)	45"(1122)	41 1/4"(1033.25)	59 3/4"(1496)	15"(374)	12 1/4"(305)
8"(200)	53 3/4"(1342.5)	55 1/2"(1387.75)	45 3/4"(1141.5)	65 1/4"(1628.75)	16 1/2"(413.25)	13 3/4"(344.25)

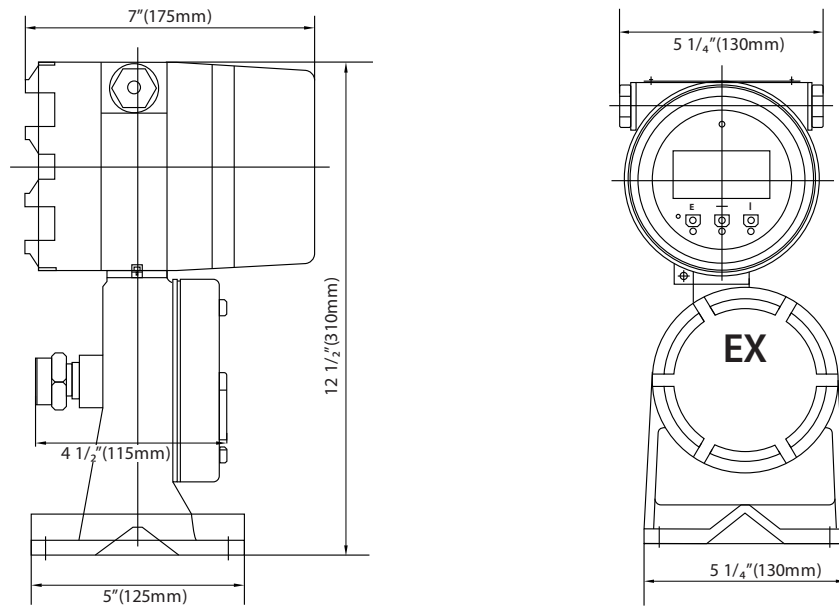
2.7.2 Outline Dimensions for Standard



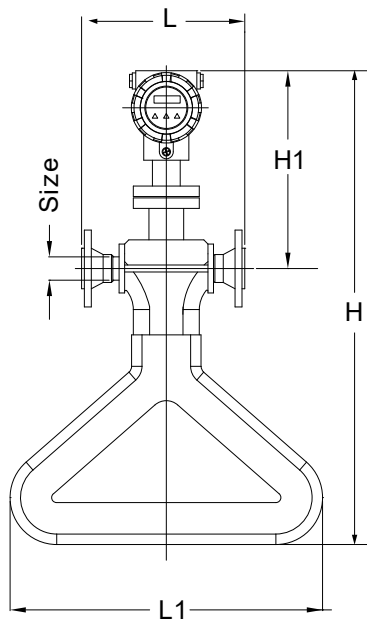
Size in(mm)	L in(mm)		L1 in(mm)	H in(mm)	H1 in(mm)	
	≤300# (4 MPa)	≥600# (6.3 MPa)			Integrated	Remote
1/2"(15)	153/4"(393.5)	161/4"(407.25)	11"(275.5)	71/4"(181)	111/2"(285.25)	83/4"(216.5)
1"(25)	19 3/4"(492)	21 "(527.5)	14 1/4"(354.25)	93/4"(246)	113/4"(295.25)	9"(226.25)
1 1/2"(40)	23 1/2"(590.5)	25"(624)	18"(452.75)	113/4"(295.25)	121/4"(305)	9 1/2"(236)
2"(50)	31 1/2"(787.25)	32 1/2"(814.75)	25 1/4"(629.75)	161/4"(403.5)	12 1/2"(314.75)	9 3/4"(246)
3"(80)	35 1/2"(885.75)	36 1/2"(913.25)	27 1/2"(688.75)	191/4"(482.25)	133/4"(344.25)	11"(275.5)
4"(100)	44 1/2"(1112)	45 1/2"(1137.75)	33 3/4"(846.25)	26"(649.5)	141/2"(364)	11 1/2"(285.25)
6"(150)	55 1/2"(1387.75)	57"(1427)	47 1/4"(1181)	35 1/2"(885.75)	153/4"(393.5)	13"(325)
8 "(200)	70 3/4"(1771.5)	72 1/2"(1814.75)	57 "(1427)	46 "(1151.5)	16 1/2"(413.25)	13 3/4"(344.25)



### 2.7.3 Dimensions of Remote Type Transmitter

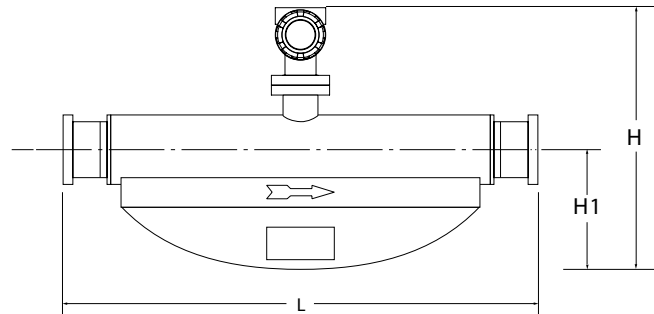


### 2.7.4 Outline Dimensions for Nano



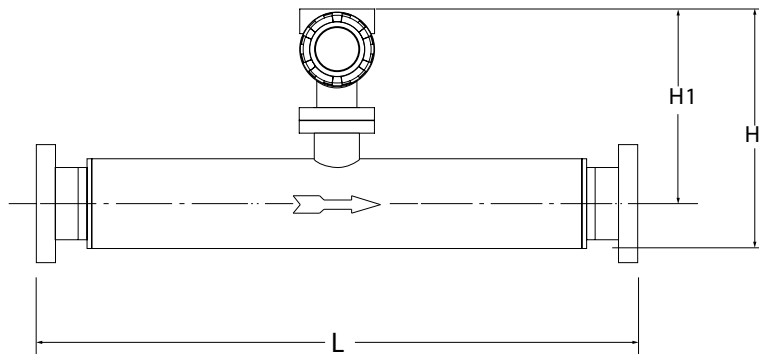
Size in(mm)	L in(mm)		L1 in(mm)	H in(mm)	H1 in(mm)	
	≤300# (4 MPa)	≥600# (6.3 MPa)			Integrated	Remote
1/2" (15)	7" (177)	7 3/4" (190.75)	13 3/4" (344.25)	11 1/2" (285.25)	10 1/4" (255.75)	7 1/2" (187)
1" (25)	7 3/4" (196.75)	23 1/4" (199)	18" (450.75)	15 3/4" (393.5)	11" (275.5)	8 1/4" (206.5)

### 2.7.5 Outline Dimensions for Super Bend



Line Size in(mm)	L in (mm)	H in (mm)	H1 in (mm)
3/8" (10)	15 1/4" (385)	13 3/4" (345)	10 3/4" (270)
1/2" (15)	15 1/4" (385)	13 3/4" (345)	10 3/4" (270)
1" (25)	21" (525)	15 1/2" (386)	11 1/4" (282.87)
1 1/2" (40)	23" (576)	15 1/2" (386)	11 1/4" (282.87)
2" (50)	28 1/2" (715)	16 3/4" (416)	11 3/4" (291)
3" (80)	36 1/2" (910)	-	-
4" (100)	42 1/2" (1060)	-	-
6" (150)	52" (1300)	-	-

### 2.7.6 Outline Dimensions for Straight



Line Size in(mm)	L in (mm)	H in (mm)	H1 in (mm)
3/8" (10)	13 3/4" (347)	10 3/4" (268.75)	9 1/4" (233)
1/2" (15)	16 1/4" (409)	10 3/4" (268.75)	9 1/4" (233)
3/4" (20)	22" (548)	12" (296.87)	9 3/4" (247)
1" (25)	26 1/2" (665)	13 1/8" (328.12)	10 1/2" (260)

### 2.7.7 Weights

Size (inch)	½"	1"	1 ½"	2"	3"	4"	6"	8"
<b>U-tube, lb (kg)</b>	-	-	67 (30 kg)	89 (40 kg)	220 (100 kg)	419 (190 kg)	717 (325 kg)	1182 (536 kg)
<b>Standard, lb (kg)</b>	27 (12 kg)	33 (15 kg)	55 (25 kg)	84 (33 kg)	172 (78 kg)	298 (135 kg)	629 (285 kg)	948 (430 kg)
<b>Nano, lb (kg)</b>	29 (13 kg)	38 (17 kg)	-	-	-	-	-	-

### 2.8 Model Chart

Example	Tek-Cor 1100A	2	1	025	B	1	S	150	1	E	L	Tek-Cor 1100A-2-1-025-B-1-S-150-1-E-L
Series	Tek-Cor 1100A											Coriolis Mass Flow Meter
Type		1 2 3 4 5 6										U - Tube Standard Nano Super Bend Straight Duo
Process Temp			1 2 3									Standard (-60 to 260 deg F) Low (-300 to 260 deg F) High (-60 to 400 deg F)
Size				008 015 025 040 050 080 100 150 200 250 300 350 400 500 600								3/8" (3600psi Max Pressure)(Type 2,3,4,5) 1/2" (3600psi Max Pressure)(Type 2,3,4,5) 1" (2300psi Max Pressure)(Type 1,2,3,4,5) 1-1/2" (1500psi Max Pressure)(Type 1,2,4) 2" (1500psi Max Pressure)(Type 1,2,4) 3" (900psi Max Pressure)(Type 1,2,4) 4" (900psi Max Pressure)(Type 1,2,4) 6" (580psi Max Pressure)(Type 1,2,4) 8" (580psi Max Pressure)(Type 1,2,4) 10" (580psi Max Pressure)(Type 6) 12" (580psi Max Pressure)(Type 6) 14" (580psi Max Pressure)(Type 6) 16" (580psi Max Pressure)(Type 6) 20" (580psi Max Pressure)(Type 6) 24" (580psi Max Pressure)(Type 6)
Accuracy					A B C D							0.50% 0.20% 0.10% 0.05% (Custody Transfer)
Electronics						1 2 3 4						Direct Mount Remote Mount Remote CT Flow Computer F1001 NTEP Flow Computer
Output							I S D E					4-20 mA, HART, Pulse 4-20 mA, Modbus RS485, Pulse Two 4-20mA, Pulse Ethemet, 4-20mA, HART RS-485
Process Connection								150 300 600 900 001 002 003				150# ANSI Flange 300# ANSI Flange 600# ANSI Flange 900# ANSI Flange NPT Flare Fitting Tri-Clamp

								025 040 100 160 260 XXX			DIN 2.5 MPa Flange DIN 4 MPa Flange DIN 10 MPa Flange DIN 16 MPa Flange DIN 26 MPa Flange Special
Power Supply									1 2		18-28 VDC 85-220 VAC
Approvals										E	UL Class I Div I
Options											FC Factory Configuration JK Jacketed (Welded) HC Hastelloy Wetted Material 316 316SS Wetted Material CPC Special Calibration

### 3 Installation

This section covers instructions on installation and commissioning. Installation of the device must be carried out by trained, qualified specialists authorized to perform such works.



#### CAUTION

- When removing the instrument from hazardous processes, avoid direct contact with the fluid and the meter
- All installation must comply with local installation requirements and local electrical code

#### 3.1 Basic Requirement for Installation

##### 3.1.1 Position Selection

- The flow meter should be placed away from interference sources (such as a pump), which may cause vibration in the pipe. If the flow meters are used in series along the same line, care must be taken to avoid the mutual influence due to vibration resonance. The distance between sensors should be more than 7 ft. (2 m).
- When installing the sensor, pay attention to the expansion and contraction of the process pipeline due to temperature changes. It is strongly recommended that the sensor not be installed near an expansion joint of the process pipeline. Otherwise, the pipe expansion and contraction of the pipeline will cause transverse stress, which will affect the flow meter's zero and will affect the measurement accuracy.
- The flow meter should be placed at least 16 ft. (5 m) away from industrial electromagnetic interference sources, such as large power motors and transformers.
- The sensor should be placed in the position where its measuring tube is always filled with fluid and pressure is maintained at the outlet, thus it should be placed in a position lower than the pipeline.
- Tek-Cor 1100A does not require straight pipe upstream or downstream. However, if more than one mass flow transmitters are installed in the same pipe, ensure the length of pipe between any two flow meters is more than 2 meters.

### 3.1.2 Maximum Length of the Cable

Cable Model	Cable Specification	Max. Length
Special Nine-Core Cable	Special	985 ft. (300 m)
Current Power Line	18AWG (0.8 mm <sup>2</sup> )	985 ft. (300 m)
RS485 Communication Cable	22AWG (0.35 mm <sup>2</sup> )	985 ft. (300 m)

### 3.1.3 Closing of Valve before Zero-Point Calibration

It is necessary to do zero-point calibration after the installation is completed. Close the downstream stop valve before zero-point calibration, and then close the upstream stop valve.

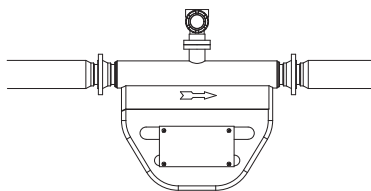
## 3.2 Installation Direction

### 3.2.1 Horizontal and Vertical Installation

The Tek-Cor 1100A should be installed in the orientation that can ensure the measuring tube is filled with the medium being measured.

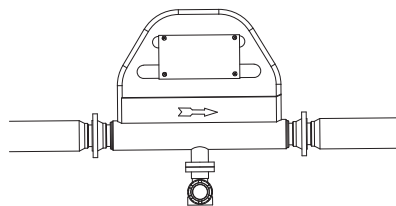
#### Standard Installation

Picture-1



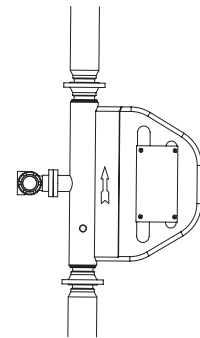
For Liquid

Picture-2



For Gas

Picture-3

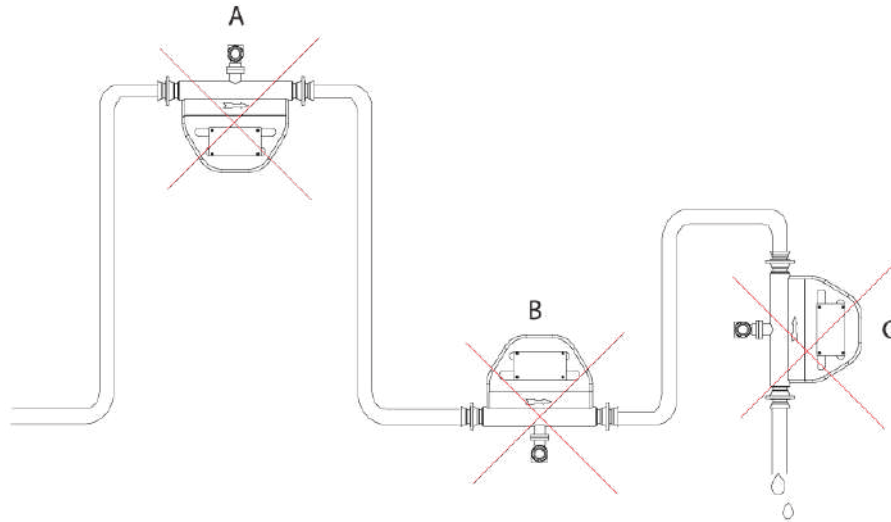


For Slurry

For horizontal installation, the measuring tube should be installed downside of the pipeline when the process medium is liquid or slurry (Picture 1); upside of the pipeline when the process medium is gas (Picture 2). For vertical installation, the measuring tube should be installed besides the pipeline when the process medium is liquid or slurry or gas (Picture 3).

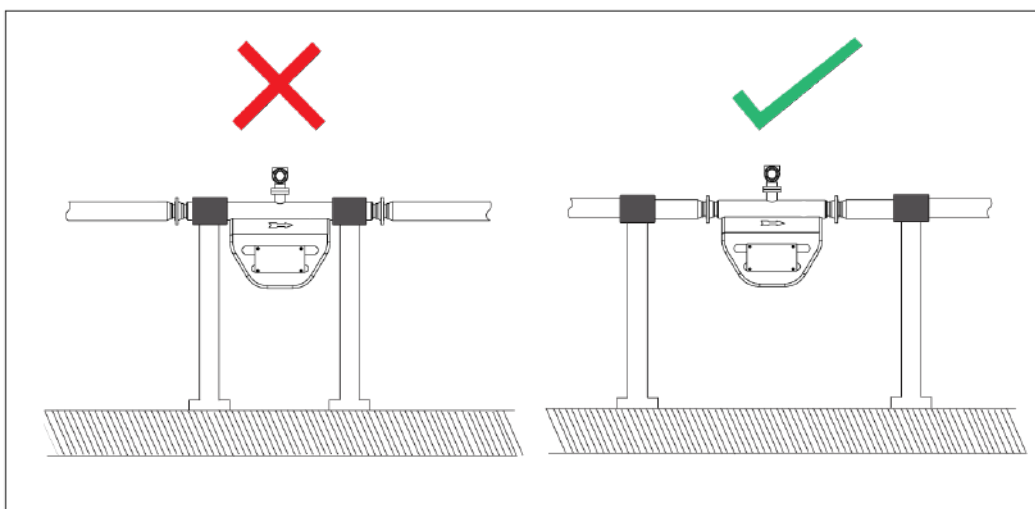
### 3.2.2 Difficult Installation Location for Liquid and Gas Measurement

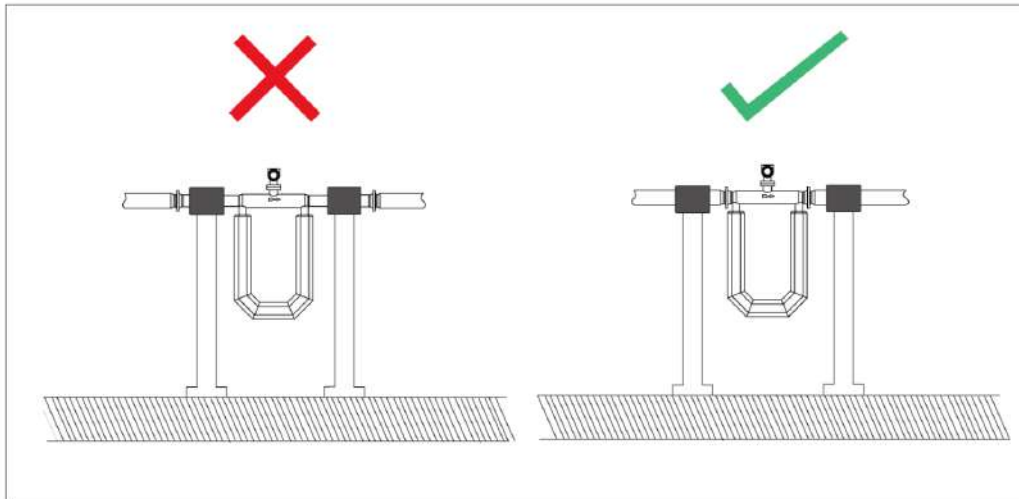
The flow meter must not be mounted at the highest point of the tubing (A) if gas bubbles are expected, or at the lowest point (B) if solid particles are expected. Also, the meters must not be mounted in a drop-line near the open end (C), to avoid the flow meter becoming empty.



**i** NOTE

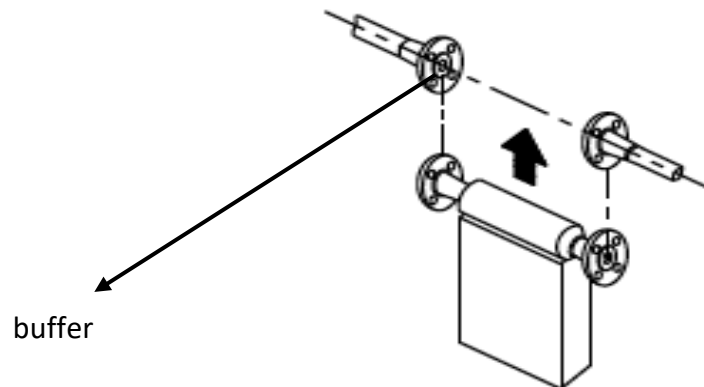
- Pipe reduction or extension should be avoided directly before or after the flow meter
- Avoid any control valves, or orifices, or any sound generator near the sensor



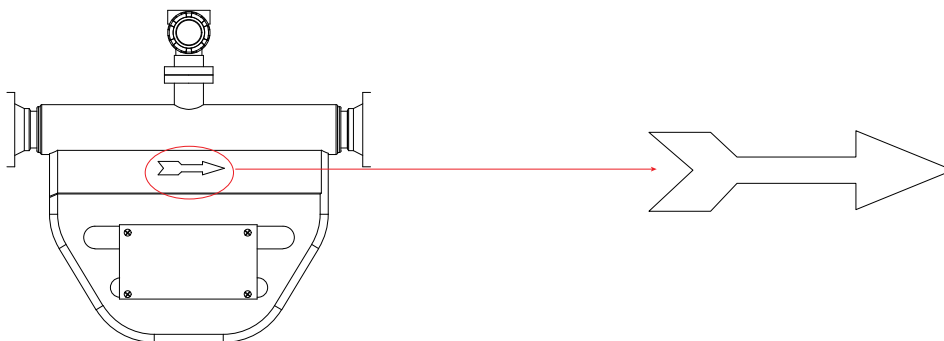


Avoid direct installation at the sensor side as this can cause measurement errors.

For installing 6" or larger size flow meter, support the sensors using the rubber connectors as the buffer.



### 3.2.3 Flow Direction

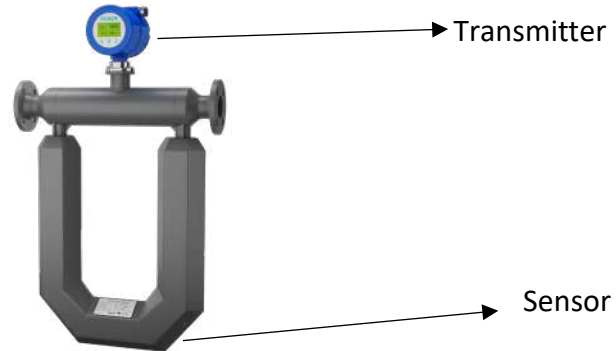


The flow arrow in front of the flow meter indicates the direction of flow, so install the Tek-Cor 1100A accordingly. Otherwise, the transmitter may not display the mass flow accurately. If the process medium is liquid or slurry, the flow direction is down-to-up; if the process medium is gas, the flow direction can be either down-to-up or up-to-down.

### 3.3 Mounting

There are 2 types of mounting that can be done on Tek-Cor 1100A Coriolis Mass Flow meter:

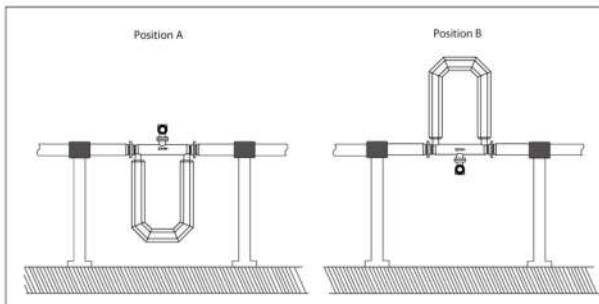
1. Sensor Mounting
2. Transmitter Mounting



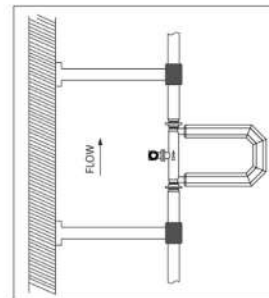
#### 3.3.1 Sensor Mounting

If the medium contains solid particles, mount the meter as shown in Position A, and in all other cases mount the meter as shown in Position B. Vertical Mounting would be the recommended, if the medium contains gas bubbles and solid particles.

#### U-Shaped Mounting

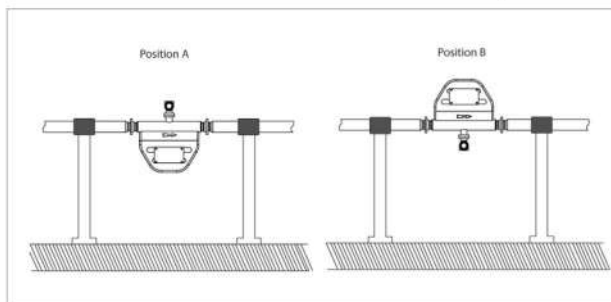


Recommended Horizontal Installation

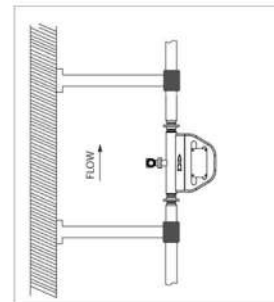


Vertical Mounting

#### Micro-bend Shaped Mounting



Recommended Horizontal Installation



Vertical Mounting



### 3.3.2 Transmitter Mounting

The Tek-Cor 1100A can be mounted directly or remotely with the help of a nine-core cable.



Install the sensor and the transmitter in the pipeline. The transmitter can be mounted with 90° rotation according to the requirement of sensor installation as shown in the picture above.

## 3.4 Wiring

### 3.4.1 Basic Requirements

If the sensor of the Tek-Cor 1100A Coriolis Mass Flow meter is installed integrally with the transmitter, it is easy to power up the transmitter. If the sensor of Tek-Cor 1100A is installed separately from the transmitter then the transmitter is connected with the sensor through special nine-core cable.

### 3.4.2 Junction Box

If the sensor and the transmitter are installed separately, ensure that the sensor and transmitter have been respectively matched with junction box for connecting the special nine-core cable.



#### **CAUTION**

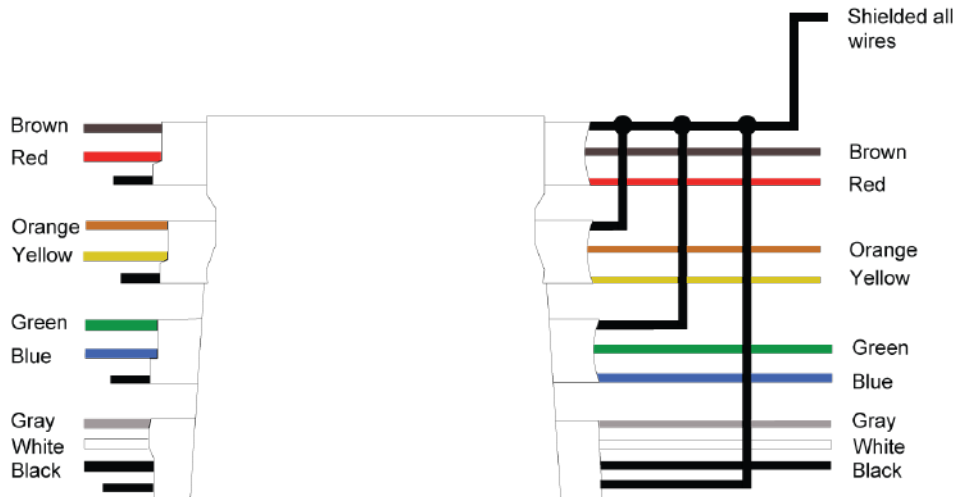
---

Cut off power before connecting the cables. The power input voltage must match the voltage specified in the junction box of the transmitter. The earth connector must be well connected with earth wire to ensure its intrinsic safety performance.

---

### 3.4.3 Cable Connection

A nine-core cable is used when the sensor and the transmitter are connected separately. The following picture shows a nine-core cable.

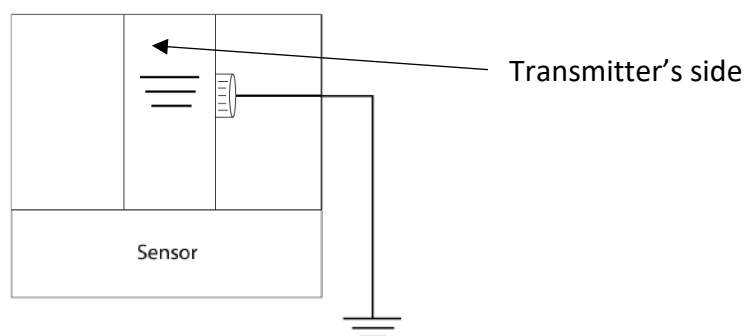


Line No.	Line Colour	Function
1	Brown	Left coil +
2	Red	Left coil -
3	Orange	Right coil +
4	Yellow	Right coil -
5	Green	Driving coil +
6	Blue	Driving coil -
7	Gray	Temperature +
8	White	Temperature -
9	Black	Temperature compensation

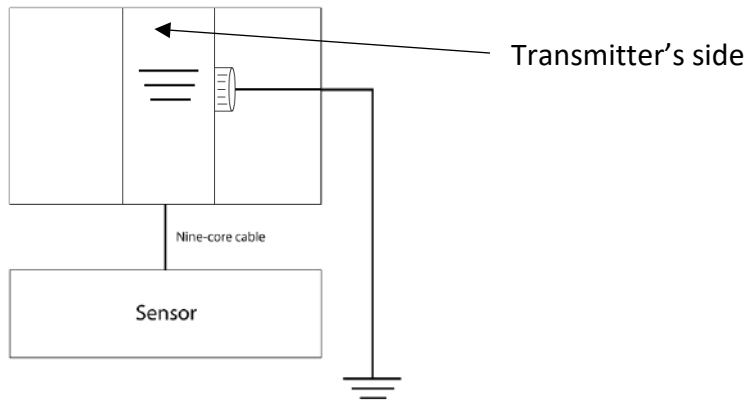
### 3.4.4 Earthing

The sensor and the transmitter must be earthed correctly, otherwise there can be a measurement error and the sensor may not work. If the pipeline is connected to the ground, the transmitter can be earthed through the pipeline; if the pipeline is not connected with the ground, the transmitter should be earthed independently. The grounding terminal is provided at the external part of the transmitter and must be grounded when put into service.

For direct mounting, protective earth terminal is connected as shown below:



For remote mounting, protective earth terminal is connected as shown below:



### 3.4.5 Power Line Wiring

The transmitter can be supplied with 18 to 28 VDC (standard) or 85 to 220 VAC (optional). The power line more than 0.00124 in<sup>2</sup> (0.8 mm<sup>2</sup>) is recommended and the maximum length of power line should be 985 ft. (300 m). For Tek-Cor 1100A of size 6" (DN150 mm) or larger, the drive-amplifier needs to be supplied with separate power.

## 4 Electrical Connections

### 4.1 Basic Requirement

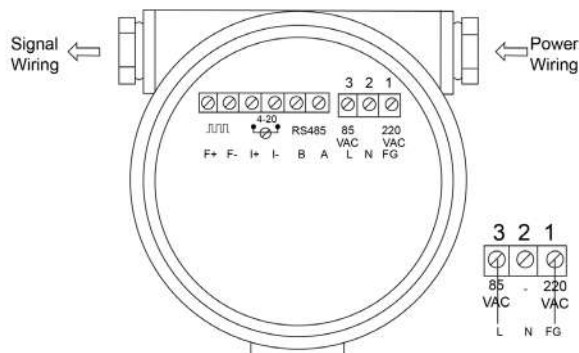
The transmitter can be connected to the AC or the DC power.

85 to 220 VAC	Power consumption: Normal 10 W, Maximum 15 W
18 to 28 VDC	Power consumption: Normal 10 W, Maximum 15 W

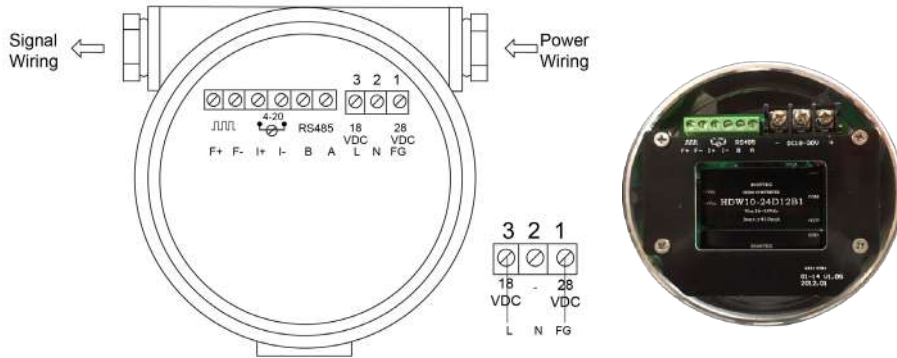
### 4.2 Power Cable

The power cable should be a two-core cable and 20-gauge minimum. The maximum length of the power cable is 985 ft. (300 m).

#### AC Power Wiring

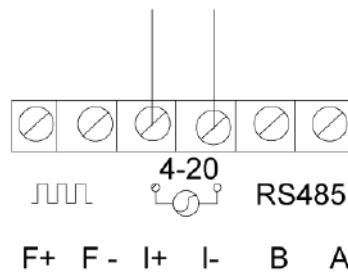


#### DC Power Wiring



### 4.3 Current Output Wiring

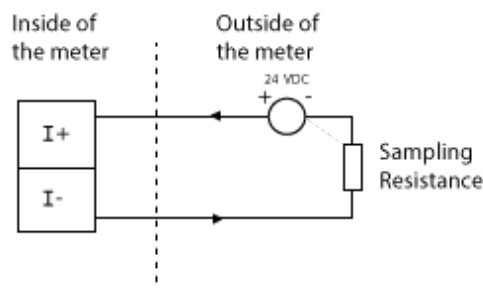
- 4-20 mA output can be configured to display mass flow, volume flow, density or water ratio.
- The cable should be two-core cable and 24-gauge minimum.
- The factory default current output is passive current output.



#### Current Output Wiring

The outer wiring of passive current output is as the figure show below:

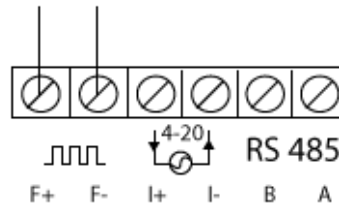
**\*Note:- Pulse Output:** Active(F+, F-), **4-20 mA output:** Passive(I+, I-),  
**Remarks for Pulse Output:** Directly Connect PLC to F+ & F-, **Remarks for 4-20 mA output:** 24VDC with 250 to 600 Ohms resistor, **Diagrams for Pulse:** Active, **Diagrams for 4-20mA:**



### 4.4 Pulse Output Wiring

- Active pulse output can be configured to mass flow, volume flow, density or water ratio.

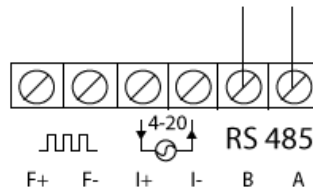
- The cable should be two-core cable and 24-gauge minimum. The maximum length of output line is 492 ft. (150 m).



**Pulse Output Wiring**

**4.5 RS 485 Output Wiring**

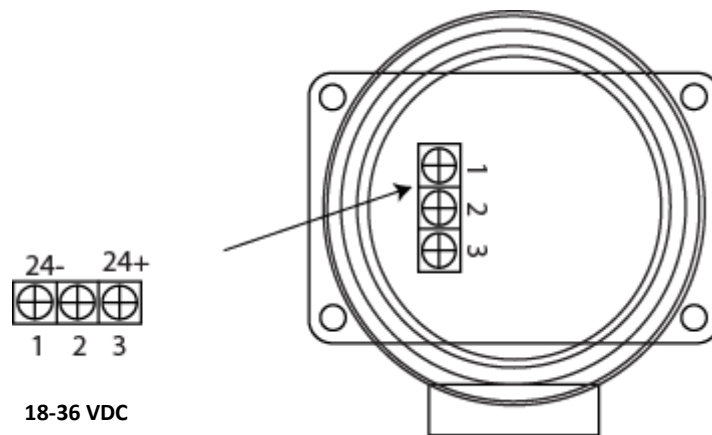
RS 485 output is compatible to RTU mode of MODBUS protocol. The maximum length of output line is 985 ft. (300 m).



**RS 485 Output Wiring**

**4.6 Amplifier Wiring**

For the Sensor size over 4”(100mm), it needs additional the power supply for the amplifier, which is the same power type with sensor. The power could be 85-260 VDC or 18-36 VDC. Please double check the power type in the nameplate on the sensor. For 85-260 VAC, the length of the power cable should be 900ft. for 18-36 VDC the length of the power cable should be 300ft and choose 2 core cable and the area of each core 18 AWG.



**Wiring for Amplifier**

## 5 Operation

This section covers operation techniques and guidelines.

Data setting can be done by HART-Communication or with the 3 keys on the front panel. The following section describes how to use the three panel keys.

### 5.1 Display

Components of Tek-Cor 1100A display:

- LED with 2-line indication
- 3 photoelectric keys



Use the operation panel of the transmitter to set the configuration parameters such as the zero calibration, cut-off value of low flow and output range of current frequency, etc.



No.	Notes
1	E key: enter
2	→ key: move cursor or return
3	↓ key: Page down
4	Light indication for working status
5	Two line LED display

Key	Measurement State	Menu State	Function State	Data State
<b>E</b>	Show the Measurement Results and State on Page1/2/3. Page Down to Menu State.	Next Menu	Select Function	<ul style="list-style-type: none"> <li>• Change Number</li> <li>• Change Unit</li> <li>• Change Character</li> </ul>
<b>→</b>	Return to the Previous Screen	Return to the Upper-Level Menu. Press this Key to Return to the	Select Function	Move the Cursor to the Right

		Measurement State		
↓		Enter the Menu	Confirm and Save the Function	Save the Input, then Go Back to the Function Menu

**i** NOTE

- Operation point of the photoelectric key is located right behind the glass panel.
- It is better to operate the photoelectric key in vertical direction, rather than horizontal direction.

## 5.2 Configuration Parameter

Review or set the configuration parameters according to the following indications

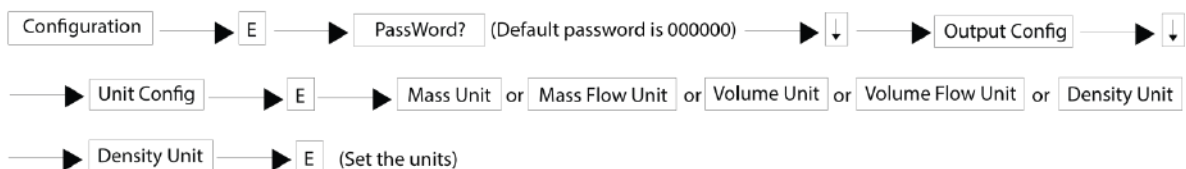
(Press ↓ to go to the next page and press → to move the position of cursor)



**WARNING**

If you forget your password, you must call a Tek-Trol engineer to reset it.

### 5.2.1 Measuring Unit

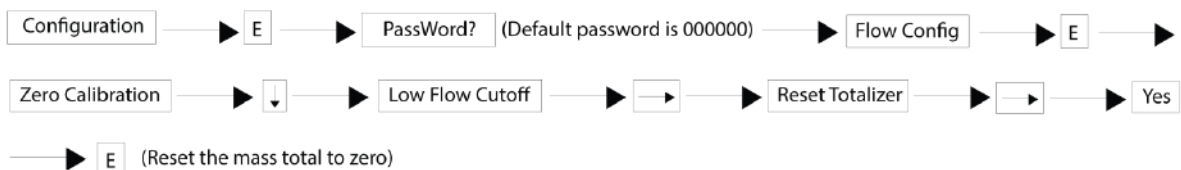


### 5.2.2 Reset Totalizer

Before performing the Total Reset activity change the Dip switch settings in the right side of the display after opening the protective glass cover as the 1 to 8 - OFF.

This will allow you to reset the mass totalizer.

After Reset make Dip switch as 1- ON & 2to 8- OFF state. This will prevent any unauthorized user to Reset the total.

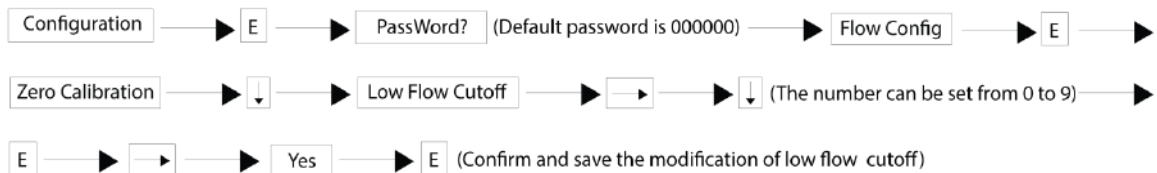


Video link demonstrating Tek-Cor 1100A Coriolis Flow Meter Reset Totalizer:

<https://www.youtube.com/watch?v=IRueSyxhd9A>

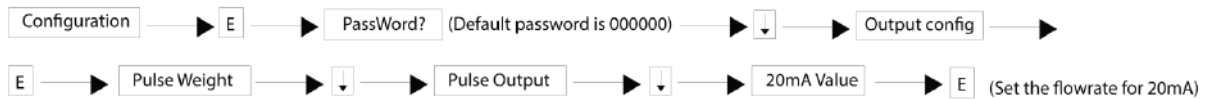


### 5.2.3 Low Flow Cut-off

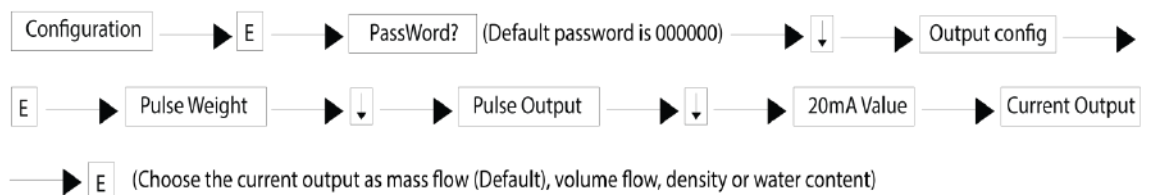


### 5.2.4 Current Output

- Set the Flow Rate for 20 mA

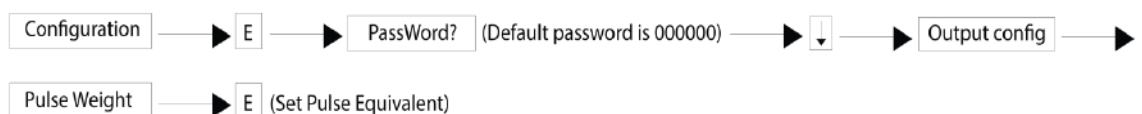


- Set Current Output Signal



### 5.2.5 Pulse/Frequency Output

- Set Pulse Equivalent

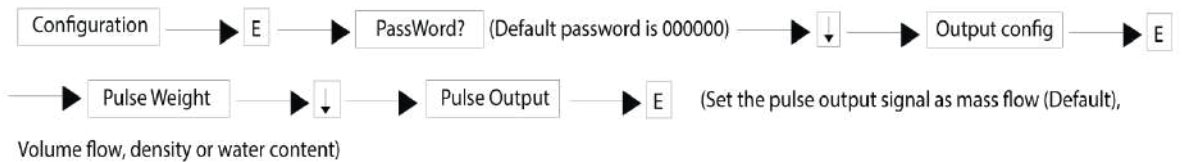


The Meter accepts any equivalent in ml/N (milliliter per pulse unit) for Volumetric flow & g/N (grams per Pulse unit) for mass flow. You need to convert Each unit of your choice to these 2 units for pulse weight.

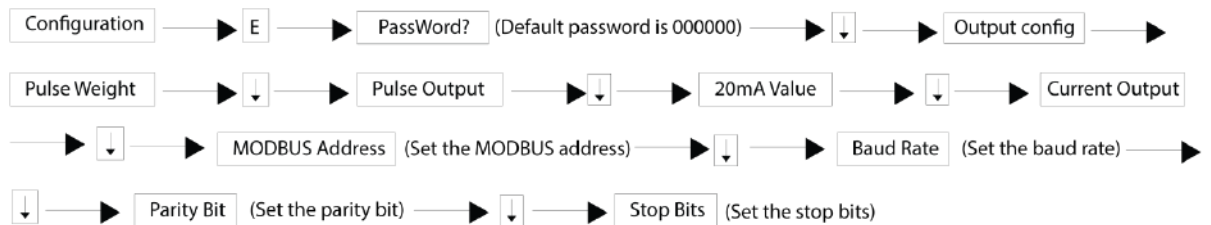


Example: suppose you want the pulse output as 1 gallon per pulse, you need to convert 1 gallon to ml i.e., 3785.412 enter this value as pulse weight and the pulse output reflects as 1 Pulse=1 gallon. If you want 0.1 gallon per pulse, put 378.54 as pulse weight (i.e., 10 pulse = 1 gallon). always convert the unit in ml and enter the equivalent value as required for volumetric flow, follow the same procedure for mass flow pulse output. Convert mass flow unit to Grams and put in pulse weight.

- Set Pulse Signal

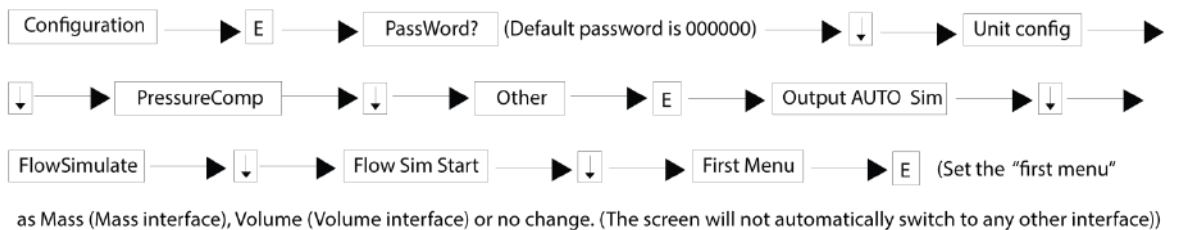


### 5.2.6 RS 485 Output

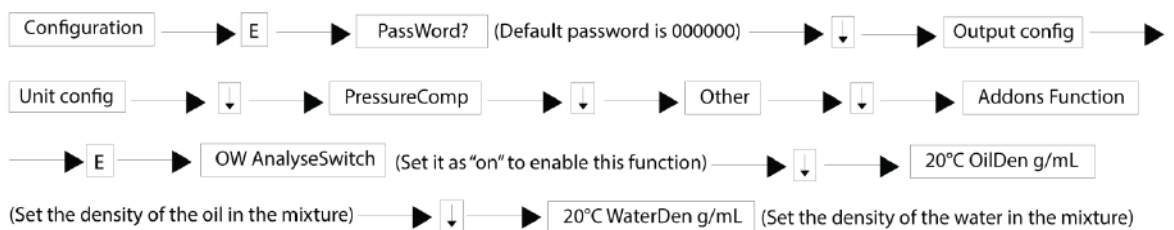


### 5.2.7 First Menu

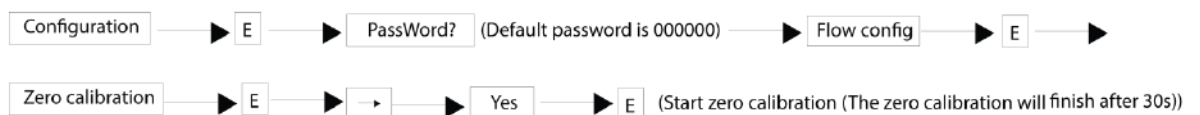
The screen automatically displays the content chosen in “First menu” if no key operation is being done for 128 seconds.



### 5.2.8 Oil and Water Content Analysis



### 5.2.9 Zero Calibration



\*Note:- Please refer 5.3.1 for detail procedure of ZERO calibration.

### 5.3 Calibration

The Tek-Cor 1100A Coriolis Mass Flow meter does not need field calibration because it is calibrated before delivery. Each Tek-Cor 1100A has its own instrumental coefficient, including one flow coefficient and four density coefficients, which are high density D1, high period K1, low density D2, and low period K2. These are present on the sensor. The direct mount instrument comes preset with the instrument coefficients and the user cannot change this.

#### 5.3.1 Zero Calibration

Zero calibration provides the reference point for the flow meter. It is necessary to conduct zero calibration whenever the Coriolis Mass Flow meter installation is performed.

For zero calibration, perform the following steps after installation-

1. Warm-up the flow meter for 30 minutes.
2. After the warm-up time is complete, continue the flow through the flow meter till the temperature of the flow meter is same as the working temperature of the fluid.
3. After the flow meter has reached the required temperature, close the downstream valve and make the fluid pass through the flow meter under normal temperature, density, and pressure and then close the upstream valve to ensure that the sensor is full of liquid during the process of zero calibration.
4. Do the zero calibration of the flow meter.



#### NOTE

Each zero calibration takes 30 seconds and must be repeated at least 10 times.

#### 5.3.2 Flow Calibration

The mass measured by Tek-Cor 1100A is calculated from the multiplication of the detected signals' time difference between two circuits and flow calibration factor. If the accuracy is not up to grade after long-term service, modify the flow calibration factor according to the following formula:

$$K_1 = K_0 \times \left(1 + \frac{(M - M_t)}{M_t}\right)$$

$$K_1 = K_0 \times \frac{M}{M_t}$$

where,

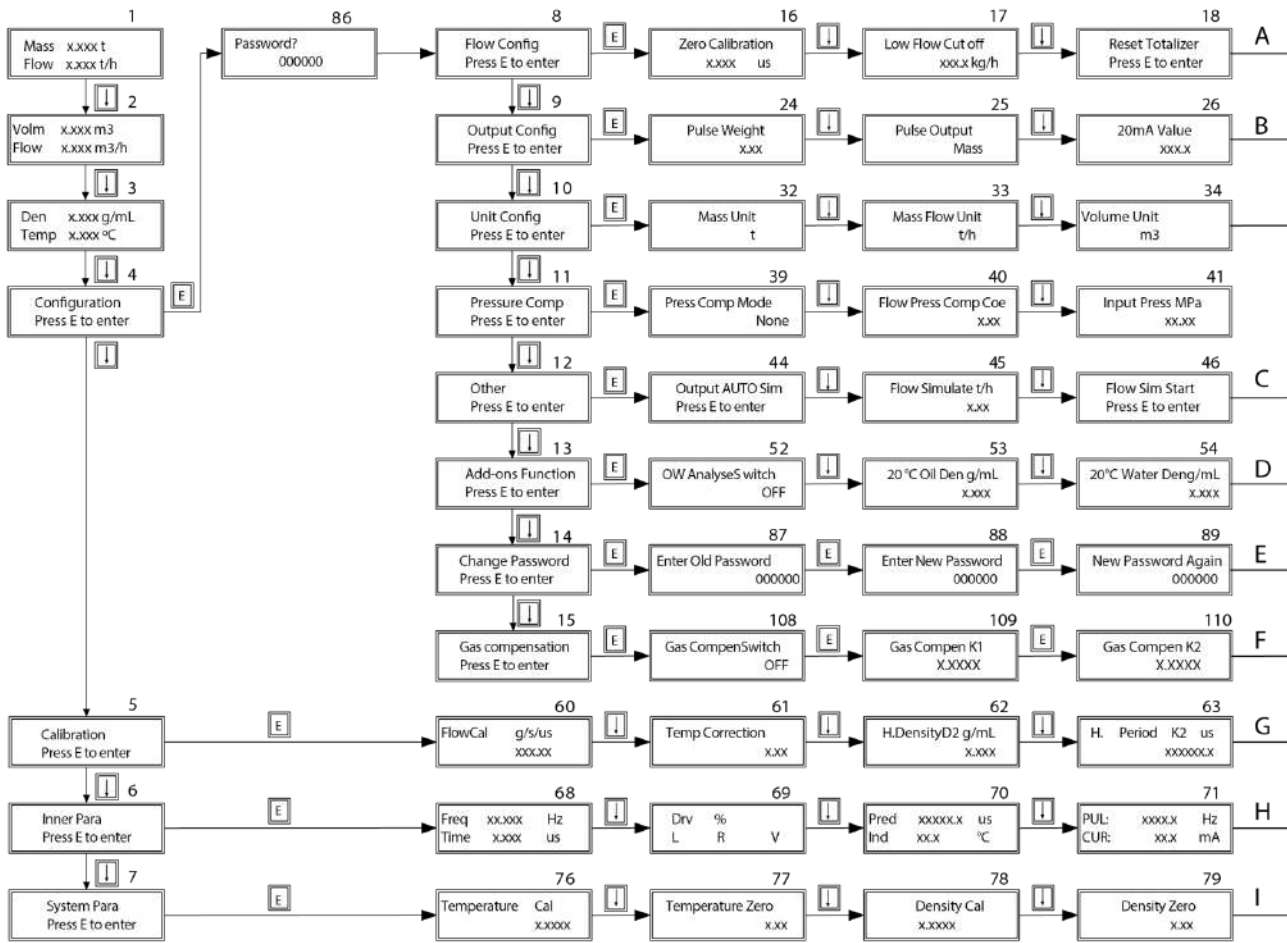
K1 = New flow calibration factor

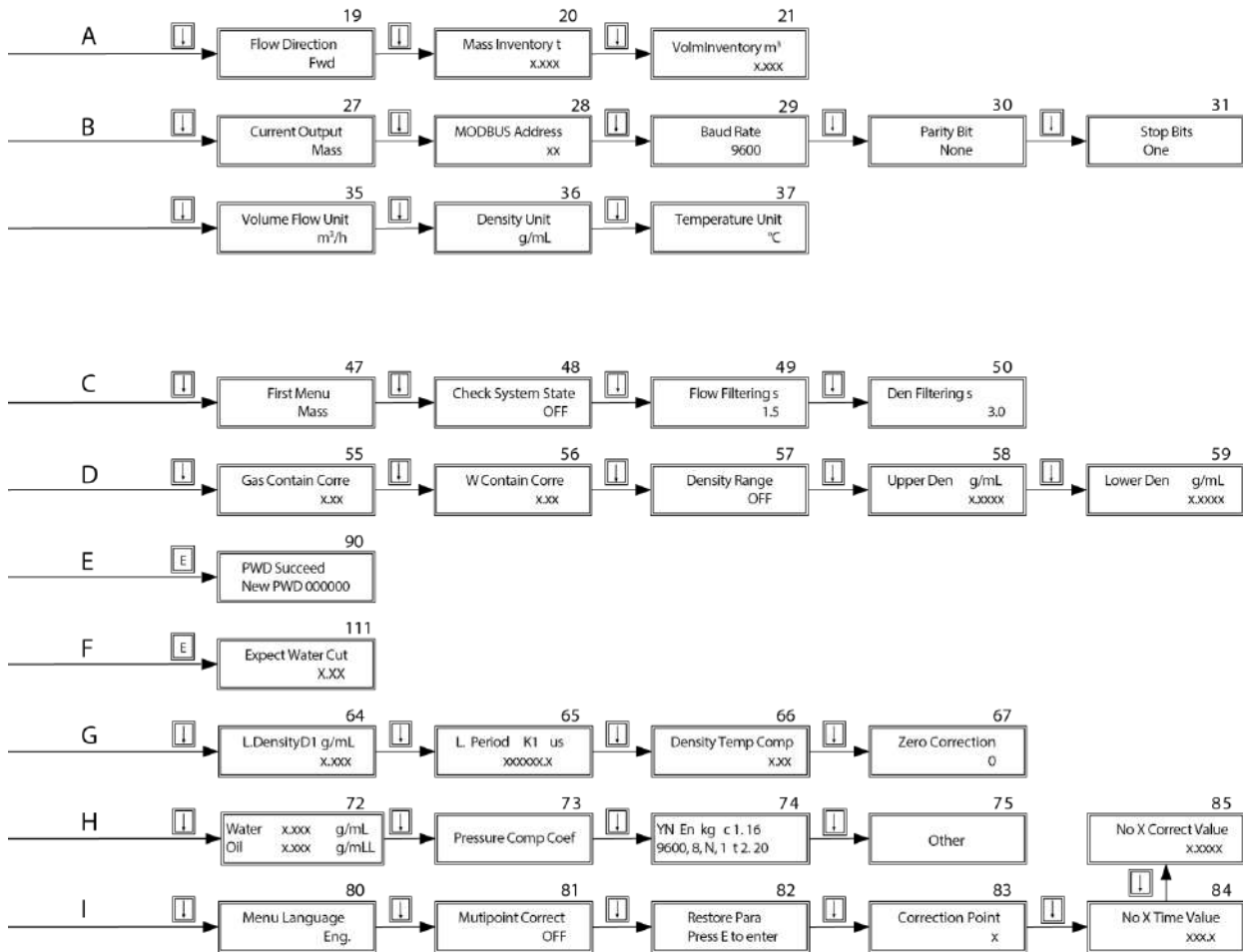
K0 = Old flow calibration factor

M = Total mass flow of the mass flow meter

Mt = Total mass flow of tested flow meter

### 5.4 Menu Tree





## 6 Pressure Loss

Pressure loss in Tek-Cor 1100A Coriolis Mass Flow meter can be checked on the following Pressure Loss Charts (including pressure loss, flow, and viscosity parameters).

When the viscosity is between two adjacent pressure loss lines, the pressure loss can be calculated with following formula:

$$\Delta P = \Delta P_1 + \frac{\Delta P_2 - \Delta P_1}{\mu_2 - \mu_1} \times (\mu - \mu_1)$$

$\Delta P_1$  = Pressure at the upstream side

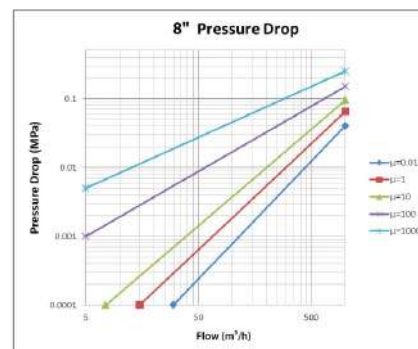
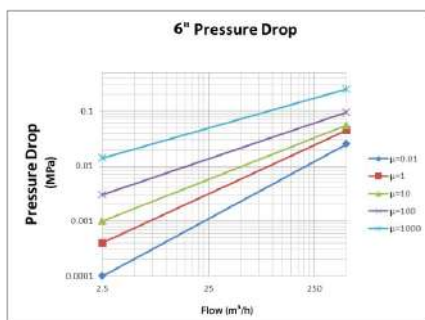
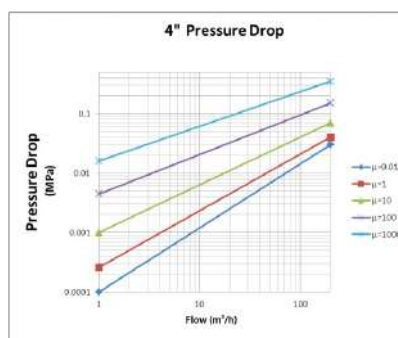
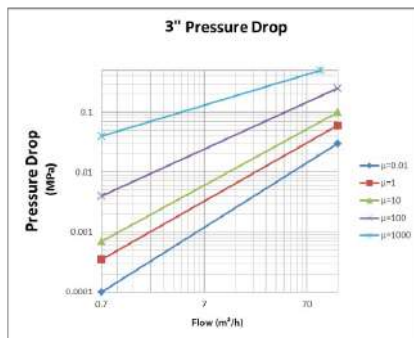
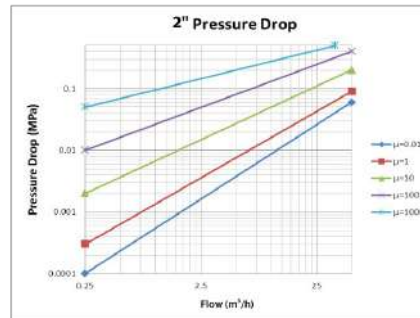
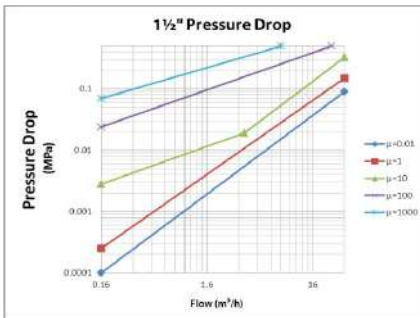
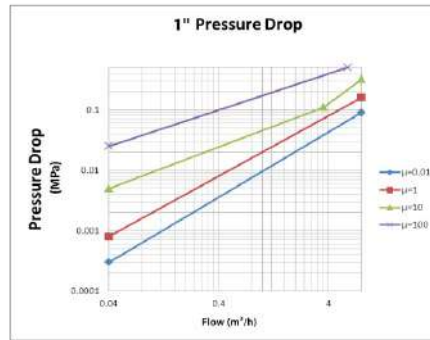
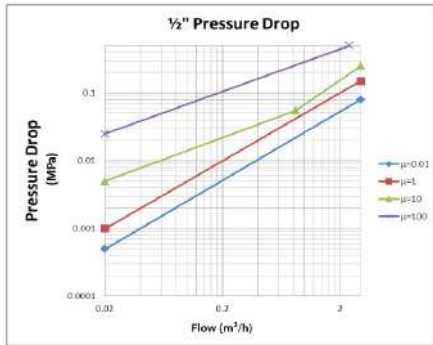
$\Delta P_2$  = Pressure at the downstream side

$\Delta P$  = Total differential pressure

$\Delta \mu_1$  = viscosity at the upstream side

$\Delta \mu_2$  = viscosity at the downstream side

Following is the pressure loss chart for different flow meter sizes:



## 7 Troubleshooting

This section provides troubleshooting techniques for most common operating problems.

### 7.1 Diagnostic Tool

You can detect the fault in the flow meter with the help of the OLED indicator and LCD displays. Different colors of the OLED lights indicate the working condition of the flow meter, while the LCD displays show the self-diagnostic error indication of the transmitter, which helps to detect malfunctions. Additionally, the handheld multi-meter is required to test the static resistance value and sensor cables.

OLED Indication	Working Condition
Green light	Normal operation
Red light	Error

### 7.2 Checking the Sensor Connection

When testing a malfunction of the flow meter, first test the coils resistance according to the Table below and check if their values are within the normal range.

Loop	Line Color	Sensor Port	Normal Resistance Range
Left Coil	Brown, Red	1,2	(60-75) $\Omega$
Right Coil	Orange, Yellow	3,4	(60-75) $\Omega$
Drive Coil	Blue, Green	5,6	(6-30) $\Omega$
Temperature	Gray, White	7,8	(75-175) $\Omega$
Temperature	Gray, Black	7,9	(75-175) $\Omega$

### 7.3 Power Connection

The following should be checked at the initial installation of electricity power:

- Choose the proper power supply voltage, connect the power cable properly, and open the insulating layer on both ends of the cable before connecting them securely.
- The signal cable and the AC power cable should not be connected to the same output.
- The transmitter should be grounded properly, with an earth resistance of less than 1 $\Omega$  (use the copper wire 10 gauge minimum).

### 7.4 Explosion Proof

- The ambient temperature range is -40°F to 131°F (-40°C to 55°C).
- The Tek-Cor 1100A Coriolis Flow Meter contains the grounding terminal to be grounded when put into service.
- The user should not change the electric parameters and standard model of explosion-proof parts in the sensor.
- The cable jacket can be divided into two kinds of  $\phi$ 8.5mm and  $\phi$ 12mm according to the inner hole of the cable gasket ring while the outside diameters of cables are respectively  $\phi$ 8mm~ $\phi$ 8.5mm and  $\phi$ 8.5mm~ $\phi$ 12mm.
- Please change the cable and gasket ring once they are age or wear out.
- Do not use in an environment that will corrode/erode the aluminum alloy.
- Ensure the maintenance or repair is in a safe place without flammable gaseous.
- The relationship between the working temperature of the medium and maximum surface temperature of the flow meter body is as follows:

Working Temperature	Surface Temperature
392°F (200°C)	383°F (195°C)
275°F (135°C)	266°F (130°C)
212°F (100°C)	203°F (95°C)
185°F (85°C)	176°F (80°C)



TEKMATION LLC reserves the right to change the designs and/or materials of its products without notice. The contents of this publication are the property of TEKMATON and cannot be reproduced by any other party without written permission. All rights reserved. Copyright © 2021 TEKMATON LLC  
DOC#TEK/TPS/ANL/2593320/11.00A/03.7  
TEKMATION LLC



[www.tek-trol.com](http://www.tek-trol.com)

### **Tek-Trol LLC**

796 Tek Drive Crystal Lake, IL 60014, USA

Sales: +1 847-857-6076

### **Tek-DPro Flow Solutions**

PO Box 121 Windsor, Colorado 80550,

USA

Sales: +1 847-857-6076

### **Tek-Trol Solutions BV**

Zinkstraat 24, 4823 AD Breda,

Netherlands,

Sales: +31 76-2031908

### **Tek-Trol Middle East FZE**

SAIF Zone, Y1-067, PO BOX No.

21125, Sharjah, UAE

Sales: +971-6526-8344

Support: +1 847-857-6076

Email: [tektrol@tek-trol.com](mailto:tektrol@tek-trol.com)

[www.tek-trol.com](http://www.tek-trol.com)

Tek-Trol is a fully owned subsidiary of TEKMATON LLC. We offer our customers a comprehensive range of products and solutions for process, power and oil & gas industries. Tek-Trol provides process measurement and control products for Flow, Level, Temperature & Pressure Measurement, Control Valves & Analyzer systems. We are present in 15 locations globally and are known for our knowledge, innovative solutions, reliable products and global presence.

Flow | Level | Temperature | Pressure | Valves | Analyzers | Accessories | TekValSys